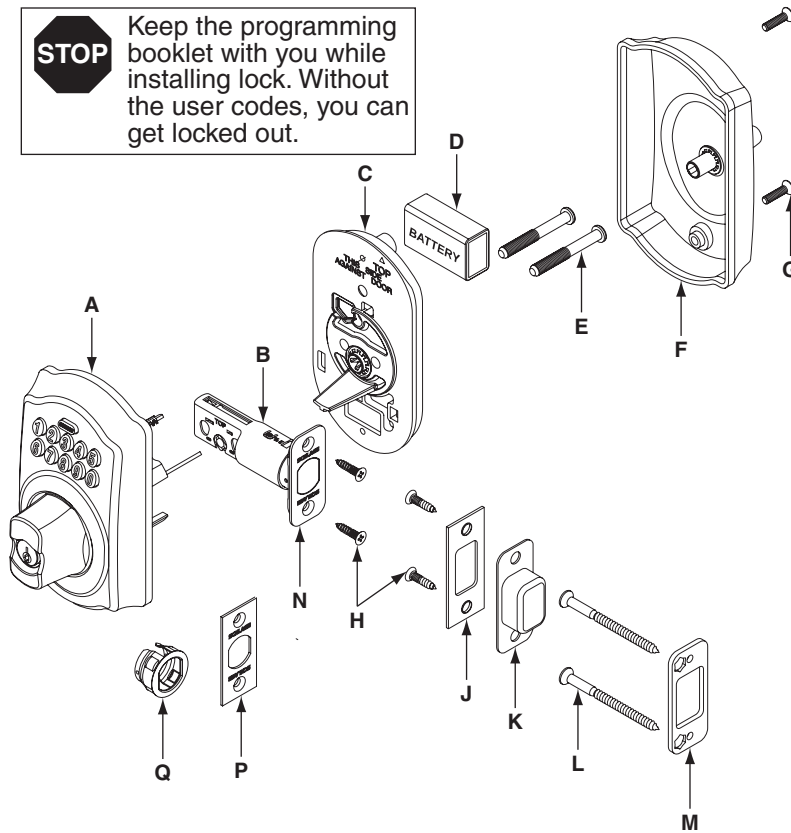


Installation Instructions BE365

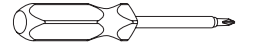
P515-481

- A. Keypad Assembly
- B. Deadbolt
- C. Mounting Plate
- D. 9V Battery
- E. Mounting Screws
- F. Thumbturn Assembly
- G. Thumbturn Screws
- H. Deadbolt/Strike Screws
- J. Strike
- K. Dust Box
- L. Reinforcement Screws
- M. Reinforcement Plate
- N. Rounded-corner Faceplate
- P. Square-corner Faceplate
- Q. Drive-in Faceplate

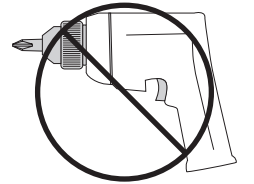
STOP Keep the programming booklet with you while installing lock. Without the user codes, you can get locked out.



Tools for Installation

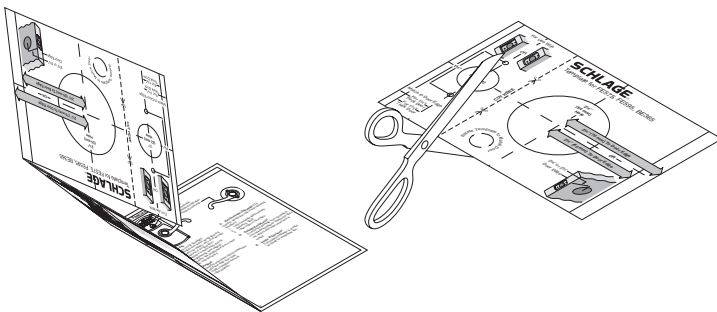


OR



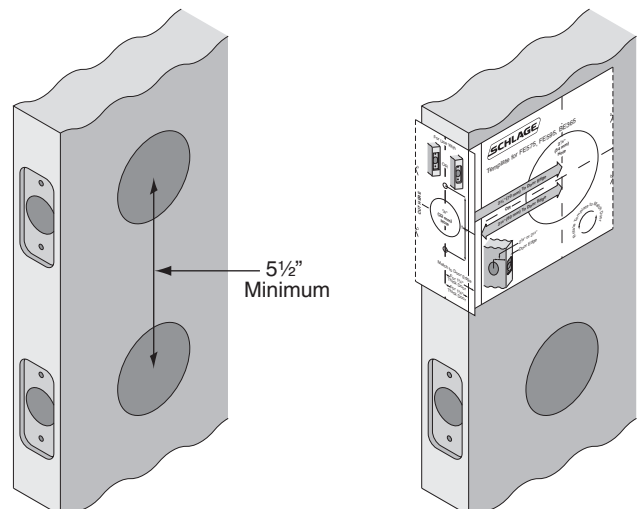
Install Lock

1 Remove Template From Programming Booklet



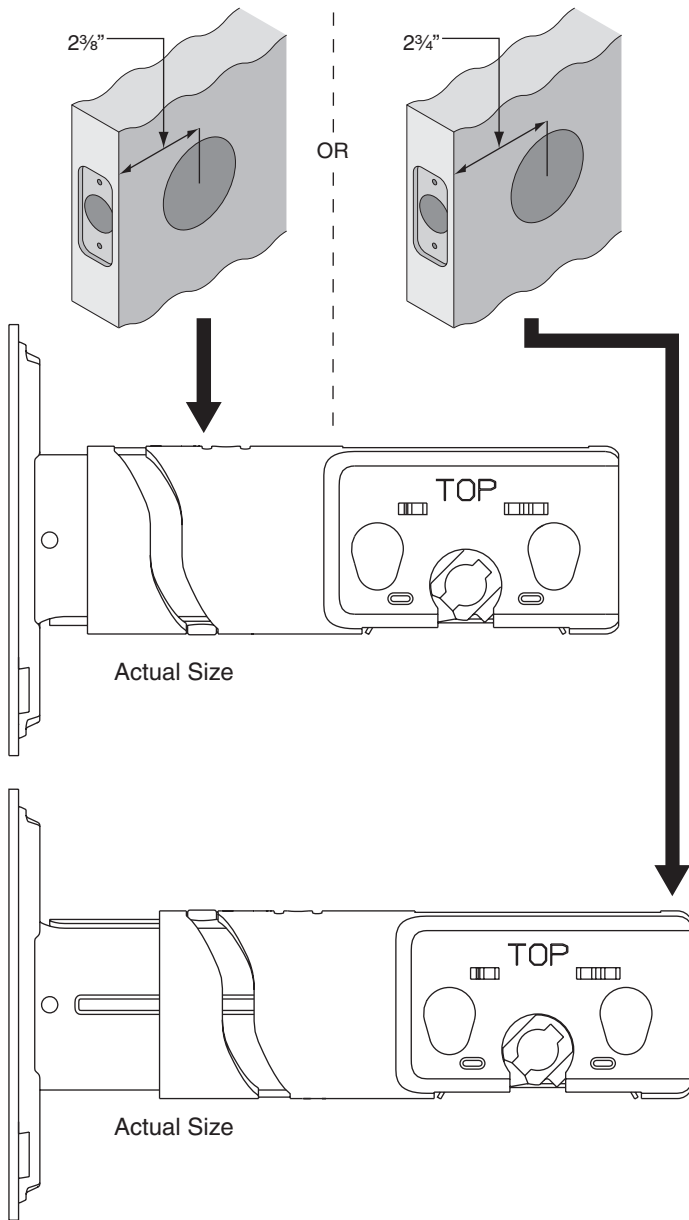
2 Check Door Holes

Note: If door holes do not match template, visit www.schlage.com for door drilling instructions.

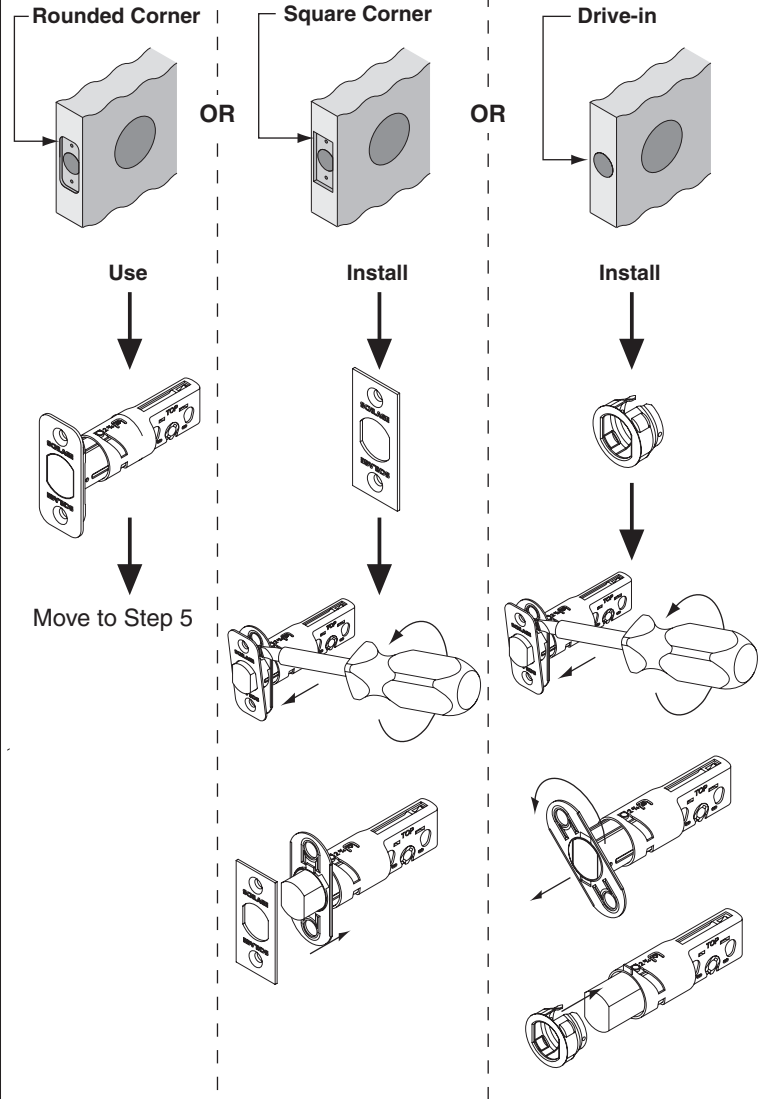


3

**For U.S.A.– Choose Appropriate Deadbolt
For Canada– See bottom of page.**

**4**

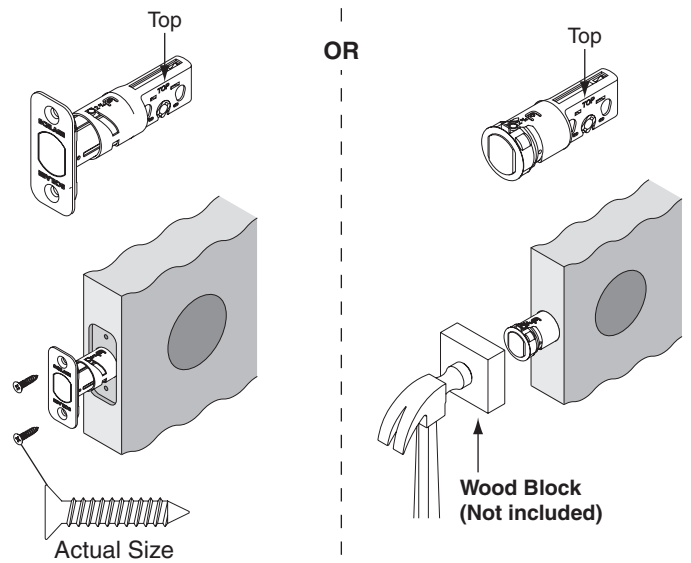
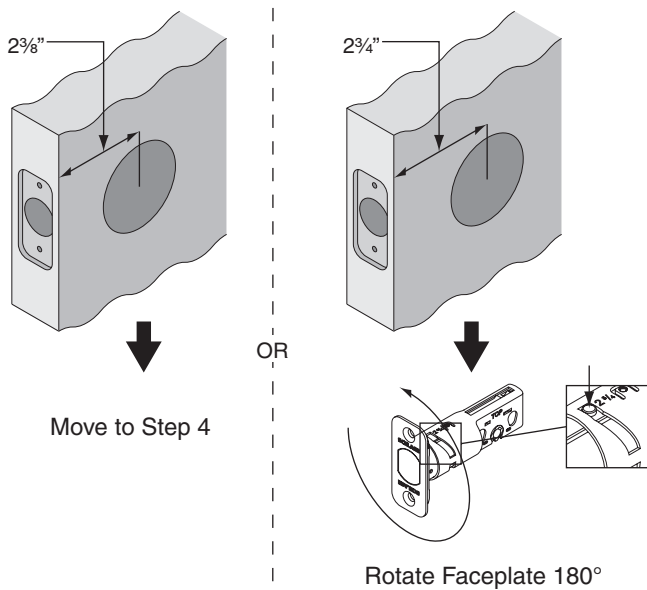
Choose Deadbolt Faceplate

**5**

Install Deadbolt

IMPORTANT: Make sure "top" is pointing up.

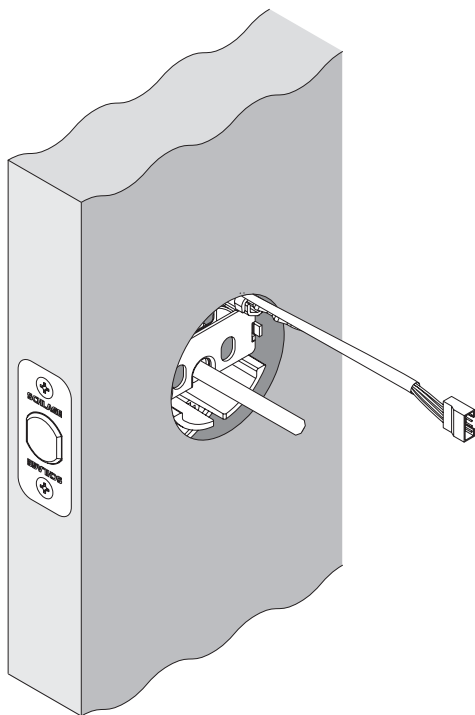
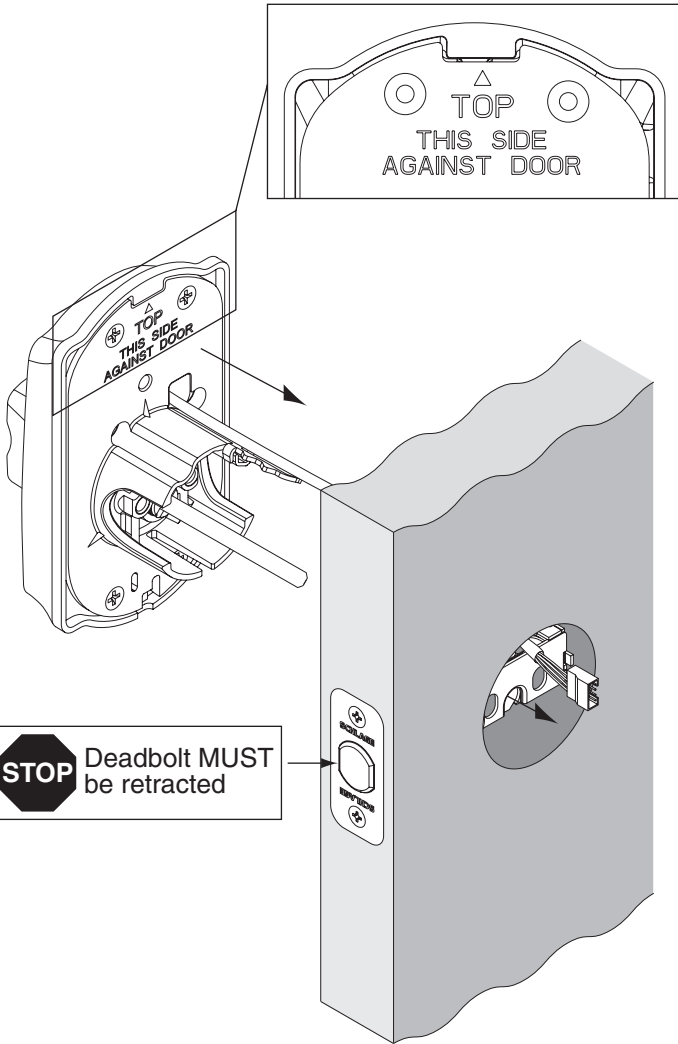
For Canada ONLY: If Needed, Adjust Deadbolt



6

Install Keypad Assembly

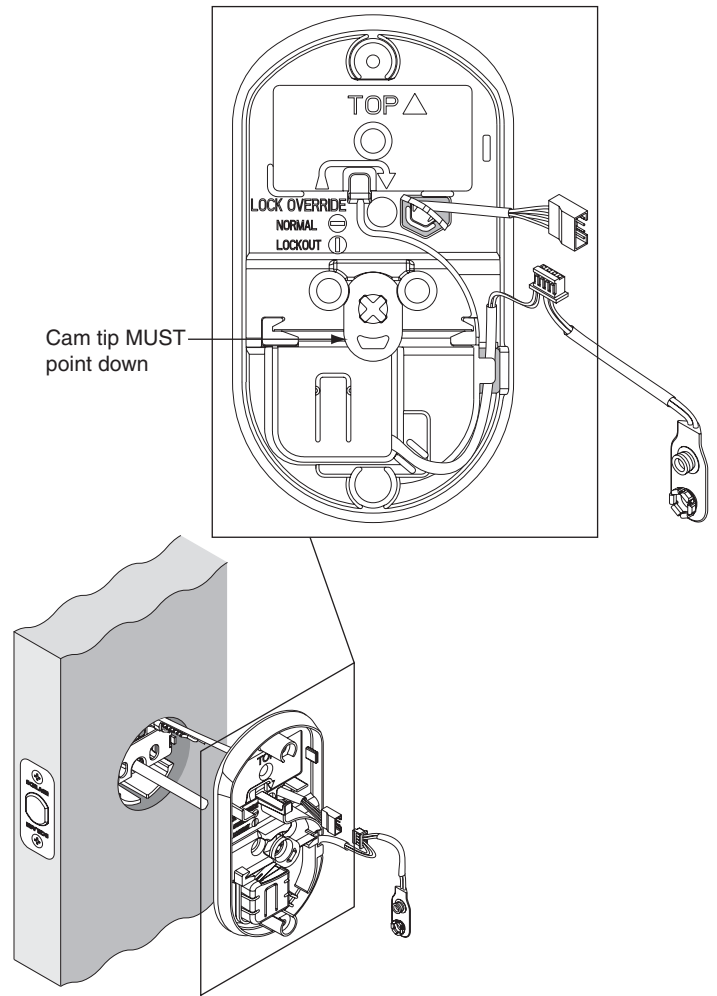
IMPORTANT: Cable passes over top of deadbolt.



7

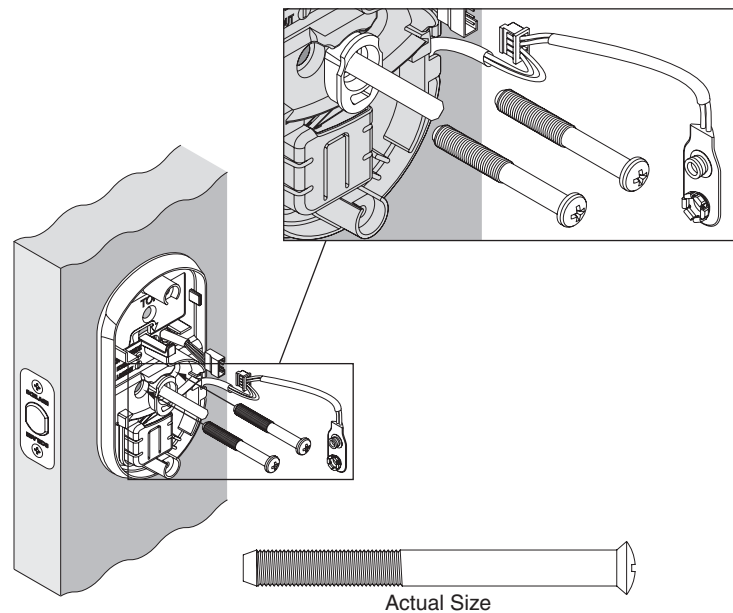
Install Inside Mounting Plate

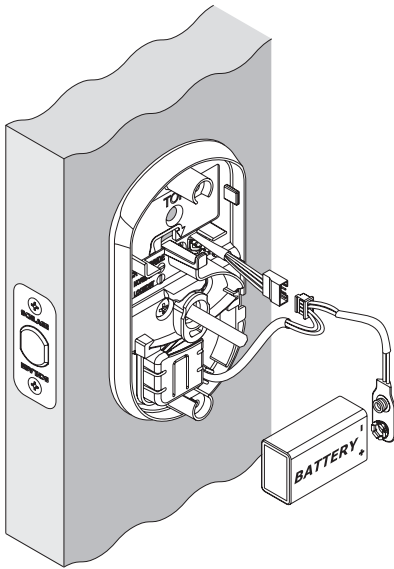
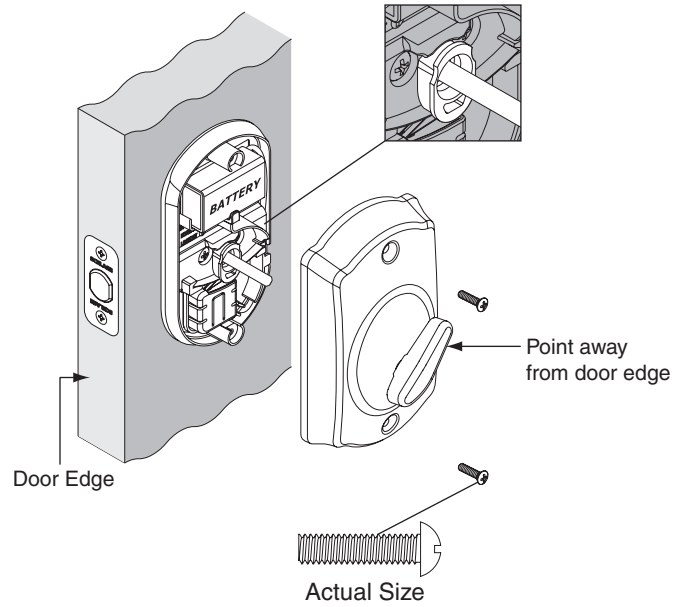
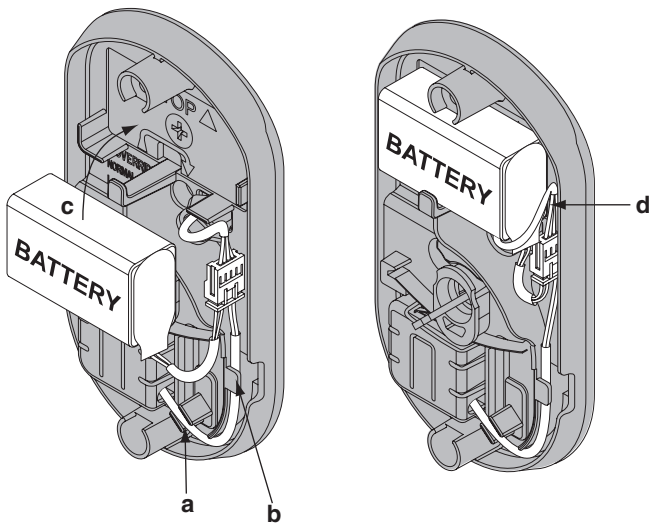
IMPORTANT: Pull excess wire through mounting plate.



8

Check Cam Orientation and Install Screws



9**Install Battery and Connect Cables****11****Install Thumbturn****10****Route and Tuck Cables****IMPORTANT:** Cable must be routed and tucked as shown.**12****Install Strike, Dust Box and Reinforcer**